

RA-3100 Series Remote Power Controller, Rated up to 100 Amps, 115/208 VAC

Product Facts

- 3PST NO
- Gasket sealed
- Auxiliary contacts available
- Meets many requirements of MIL-PRF-6106



Performance Data

Electrical Characteristics

Contact Arrangement — 3PST NO

Rated Operating Voltage — 115/208 VAC, 400-610 Hz, 3 phase

Resistive Rating — 100 Amp

Motor Rating — 100 Amp

Rupture Rating — 1,000 Amp

Closing Time, Max., at 28 Vdc — 35 msec

Opening Time, Max., at 28 Vdc — 25 msec

Contact Bounce, Max. — 3 msec

Coil Characteristics

Duty Cycle — Continuous, economizing

Operating Voltage, Max. — 32 Vdc

Operating Voltage @ 85°C, Min. — 18 Vdc

Coil Current, Inrush Max. @ 25°C — 6.0 Amps

Coil Current, Hold Max. @ 25°C — 0.5 Amps

Trip Time @ 28 Amp Current

+10% —

RA-3100M - 1.0 to 1.50 sec

Trip Time @ 151 Amp Current

+10% — RA-3100D - 3.0 to 5.0 Sec.

Trip Time @ 185 Amp Current

+10% — RA-3100D - 2 to 2.9 Sec.

Trip Time @ 237 Amp Current

+10% — RA-3100D - 1 to 2.5 Sec.

General Characteristics

Temperature Range —

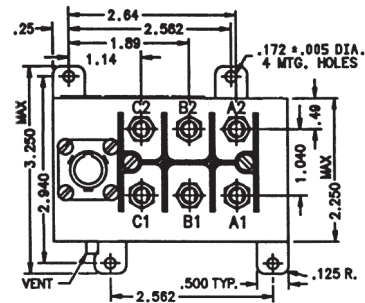
-55°C to +85°C

Operating Cycles (Life) at Rated Load, Min. — 50,000 cycles

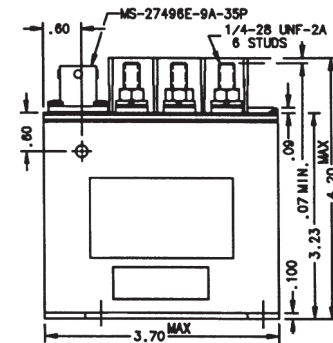
Operating Cycles (Life) Mechanical, Min. — 100,000 cycles

Altitude — 50,000 ft

Weight, Max. — 1.55 lbs

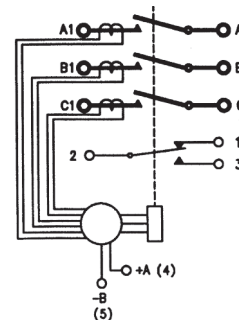


NOTE: FOR PROPER OPERATION, PIN A REQUIRES 18 TO 28 VDC



Mounting Style A

Circuit Configurations (Consult factory for other available circuit configurations)



Circuit Configuration 1

HARTMAN Part Number	Construction Type	Mounting Style	Coil Type	Circuit Config.	TE Part Number
RA-3100D	Gasket/Vented	A	Continuous, Economizing	1	1616133-1
RA-3100M	Gasket/Vented	A	Continuous, Economizing	1	1616133-5

For factory-direct application assistance, phone 419-521-9500 or fax 419-526-2749.